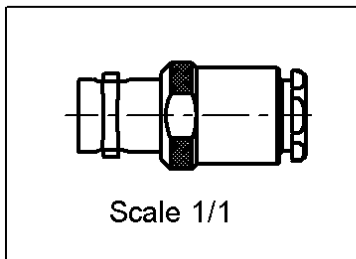
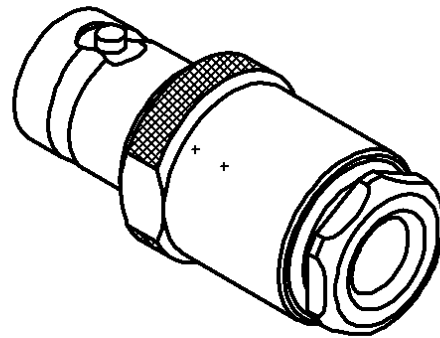
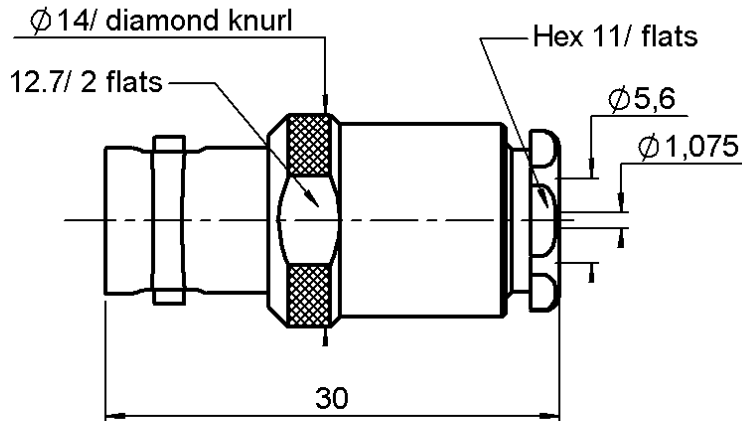


STRAIGHT JACK CLAMP TYPE

R141.208.000

CABLE 5/50 S+D

Series : **BNC**



All dimensions are in mm.



COMPONENTS	MATERIALS	PLATINGS (μm)
BODY	BRASS	NICKEL 2
CENTER CONTACT	BERYLLIUM COPPER	GOLD 0.5 OVER NICKEL 2
OUTER CONTACT	-	-
INSULATOR	PTFE	-
GASKET	SILICONE RUBBER	-
OTHERS PARTS	BRASS	NICKEL 2
-	-	-
-	-	-

Issue : 0341 J

In the effort to improve our products, we reserve the right to make changes judged to be necessary.



STRAIGHT JACK CLAMP TYPE

R141.208.000

CABLE 5/50 S+D

Series : **BNC**

PACKAGING

Standard	Unit	Other
100	'W' option	Contact us

SPECIFICATION

ELECTRICAL CHARACTERISTICS

Impedance		50	Ω
Frequency		0-4	GHz
VSWR	1.2 +	0.000	x F(GHz) Maxi
Insertion loss		0.115	\sqrt{F} (GHz) dB Maxi
RF leakage	- (57	- F(GHz)) dB Maxi
Voltage rating		500	Veff Maxi
Dielectric withstanding voltage		1500	Veff mini
Insulation resistance		5000	M Ω mini

CABLE ASSEMBLY

Stripping	a	b	c	d	e	f
mm	2.50	7.00	0.00	0.00	3.00	0.00

Assembly instruction : **Clamp 02**

Recommended cable(s)

RG 141
KX 23
RG 142 FTX
RG 58
RG 142
RG 400
KX 15
RG 223

Characteristics indicated on this data sheet are those that can be achieved with the highest performance cable. Intrinsic limitations of the cable may diminish the performance of the assembly

Cable retention

- pull off **180** N mini
- torque **NA** N.cm

MECHANICAL CHARACTERISTICS

Center contact retention			
Axial force – Mating end		27	N mini
Axial force – Opposite end		27	N mini
Torque		NA	N.cm mini

Recommended torque			
Mating		NA	N.cm
Panel nut		NA	N.cm
Clamp nut		450	N.cm
A/F clamp nut		11.000	mm

Mating life		500	Cycles mini
Weight		17.000	g

TOOLING

Part Number	Description	Hexagon
.	.	.

OTHERS CHARACTERISTICS

ENVIRONMENTAL

Operating temperature		-65/+165	$^{\circ}$ C
Hermetic seal		NA	Atm.cm3/s
Panel leakage		NA	

Issue : **0341 J**

In the effort to improve our products, we reserve the right to make changes judged to be necessary.

